

BILL TO:	Date:	SHIP VIA: <input type="checkbox"/> Will Call <input type="checkbox"/> Delivery Service <input type="checkbox"/> Ship	Page _____ of _____
	Account #:		Job #:
	P.O. #:		
SHIP TO:	Ordered by:		
	Sidemark:		
	Phone #:	Fax #:	

HunterDouglas

NEWSTYLE®

Hybrid Shutters

Opening #	Room	Qty.	Color ①	Hinge Color ②	Louver Size ③	IM or OM ④	Frame Type ⑤	Ordered Size ⑦		# of Panels Per Opening ⑧	Panel Configuration ⑨	Frame Detail ⑩	Buildout ⑪	Tilt Bar ⑫	Track Valance Type ⑬	Divider Rail Height (Double-Hung and Café Height) ⑭	T-Post ⑮				Magnets ⑯	
								Width	Height								1st	2nd	3rd	4th		
																DR2		1st	2nd	3rd	4th	
																DR1						
																DR2		1st	2nd	3rd	4th	
																DR1						
																DR2		1st	2nd	3rd	4th	
																DR1						

NOTES: IM (Inside Mount) = Factory takes deductions. OM (Outside Mount) = Finished shutter size. See order form key or reference guide for more details.
 Everything below this dashed line is actual window opening dimensions and information. Above this dashed line is the order specification. Fabricators are only responsible for the information provided above this dashed line.

OPENING # _____ CLEARANCE DEPTH _____ TRIM TO TRIM

SILL DETAIL WINDOW DIAGONAL

A. Width _____ B. Height _____ C. Projection _____ D. _____ E. _____

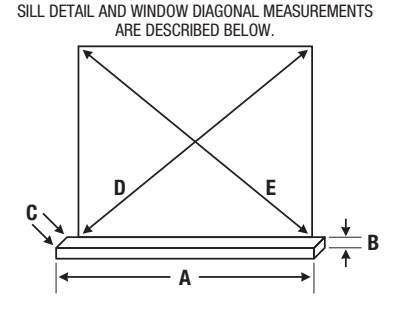
← W

← W

← W H H H

↓ ↓ ↓

NOTES: ⑥ Rough Measure _____ X _____
Number of Panels _____



OPENING # _____ CLEARANCE DEPTH _____ TRIM TO TRIM

SILL DETAIL WINDOW DIAGONAL

A. Width _____ B. Height _____ C. Projection _____ D. _____ E. _____

← W

← W

← W H H H

↓ ↓ ↓

NOTES: ⑥ Rough Measure _____ X _____
Number of Panels _____

OPENING # _____ CLEARANCE DEPTH _____ TRIM TO TRIM

SILL DETAIL WINDOW DIAGONAL

A. Width _____ B. Height _____ C. Projection _____ D. _____ E. _____

← W

← W

← W H H H

↓ ↓ ↓

NOTES: ⑥ Rough Measure _____ X _____
Number of Panels _____

INSTALLER CERTIFICATION NUMBER

CUSTOMER SIGNATURE (for verification)

DEALER SIGNATURE

DATE / /

OPENING # _____ CLEARANCE DEPTH _____ TRIM TO TRIM

SILL DETAIL WINDOW DIAGONAL

A. Width _____ B. Height _____ C. Projection _____ D. _____ E. _____

← W

← W

← W H H H

↓ ↓ ↓

NOTES: ⑥ Rough Measure _____ X _____
Number of Panels _____

NewStyle® Hybrid Shutters

Order Form Key

Use the following key as a guide when completing the NewStyle hybrid shutters order form.

Note: Items marked with an asterisk (*) require a surcharge.

1 Color

Specify color number and name.

608 = Eggshell	609 = Linen	650 = Pure White
651 = Soft White	652 = Warm Cream	653 = Cameo White
659 = Golden Oak	670 = Warm Cherry	671 = Amaretto
672 = Bahama Brown		

2 Hinge Color

Specify hinge color number and name. Recommended colors for hinges are shown in parenthesis.

009 = White (650 Pure White)	010 = Off-White (608 Eggshell, 651 Soft White, 652 Warm Cream, 653 Cameo White)
012 = Buttercup (609 Linen)	
006 = Brass Finish	
007 = Antique Brass Finish	
008 = Brushed Nickel Finish	
011 = Stainless Steel*	
022 = Venetian Bronze	023 = Satin Black

3 Louver Size

Specify louver size: 2 1/2", 3 1/2" or 4 1/2".

4 IM or OM

Specify inside mount or outside mount.

IM = Inside Mount

Factory takes a standard framed deduction of 1/4" from width and height or a standard without frame deduction of 3/16" from width and height.

On all inside mounts, diagonal measurements must be taken. If diagonal measurements are not equal, consider making greater deductions than the standard 1/4" (framed) or 3/16" (without frame). If the diagonal measurement difference is greater than 1/2", we recommend an outside mount for that particular window opening.

OM = Outside Mount

Factory takes no deductions. Submitted size will be the finished shutter size.

When measuring the opening of a typical window for outside mounts, we recommend adding the width of the base of the frame plus 1/4", per framed side, to the largest width and height measurements. This provides a 1/4" reveal around the entire window opening.

Standard additions:

Frame Type	3-Sided Frame		4-Sided Frame	
	Width	Height	Width	Height
L11	3 1/4"	1 5/8"	3 1/4"	3 1/4"
L12, L13	2 3/4"	1 3/8"	2 3/4"	2 3/4"
C10	6"	3"	6"	6"
BP, BF	3 1/4"	1 5/8"	3 1/4"	3 1/4"

5 Frame Type (I) = Inside Mount, (O) = Outside Mount

The following types are priced as framed:

Z11 = Tilt-in Z-frame (I)	Z12 = Colonial Z-frame (I)
Z13 = Standard Z-frame (I)	L11 = Standard L-frame (I or O)
L12 = Trim L-Frame (I or O)	L13 = Extended Trim L-Frame (I or O)
C10 = Deluxe Casing frame (not available for ART or ANT). (O)	
BP = Bypass track system*	BF = Bi-fold track system*
BPB = Bypass track system with bottom track*	
BFB = Bi-fold track system with bottom track*	
FD = French door (4-sided mitered HSB frame – OM only)	
FDC = French door cut-out* (OM only)	
Z12/L11 = Colonial Z-frame and Standard L-frame combination	
Z13/L11 = Standard Z-frame and Standard L-frame combination	
AOS/[frame type] = Arch over shutter in a continuous opening	
ART-T/[frame type] = Arch top panel - traditional*	
ART-S/[frame type] = Arch top panel - stepped*	
ANT/[frame type] = Angle top panel*	

The following types are priced as unframed:

HSS = Hang strip side-by-side	HSB = Hang strip behind
WF = Without frame (panels only)	
WFBP = Bypass track system without frame*	
WFBF = Bi-fold track system without frame*	

Note: With the exception of French doors (FD), all HS frames are based on two hang strips, left and right. On inside mounts, two light stops top and bottom are included.

6 Rough Measure

Enter rough measurements and number of panels. This will be used as a guide for price estimates and configurations until a final measurement is performed by a trained installer.

7 Ordered Size

Enter width and height dimensions to the nearest 1/16".

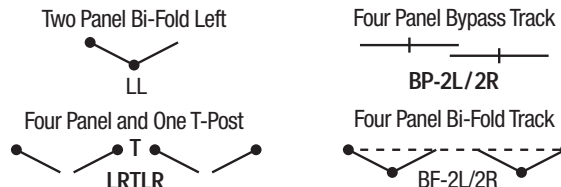
Note: Splices will occur on frames and valances over 138".

8 Number of Panels Per Opening

1 = one panel 2 = two panels 3 = three panels, etc.

9 Panel Configuration

Print the letters of the panel configuration. Examples:



Then, in the appropriately numbered box, draw the panel configuration. Include the letters of the configuration.

Note: For windows requiring unequal panel widths, see reference guide for details.

10 Frame Detail

2 = 2-sided; 3 = 3-sided (top, left, right); 4 = 4-sided

4SIL = 3-sided L-frame or Z-frame with bottom sill frame*

2CAF = 2-sided Café style

3CAF = 3-sided Café style (left, right, bottom)

4CAF = 4-sided Café style, panels part way up*

3CSIL = 2-sided Café style with bottom sill frame†

4CSIL = 3-sided Café style with bottom sill frame*†

DH = Double-hung* (specify 2,3 or 4-sided: 2DH, 3DH or 4DH)

DHHT = Double-hung with horizontal T-post* (specify 2,3 or 4-sided: 2DHHT, 3DHHT, or 4DHHT)

3D = 3-sided door which provides 5/8" floor clearance

SA = Special applications other than those listed above

† When using L-frame instead of bottom sill frame indicate with "-L".

Sill Frame is not compatible with L12 and L13.

Note: Indicate height for Café and double-hung styles in column 14.

11 Build-out

	FD, L12, L13	L11, BP, BF
1 = Single buildout projection	1 3/8"	1 1/8"
2 = Double buildout projection	2 3/4"	2 1/4"
LS = Light stop (3/8" x 3/4")	3/8"	3/8"

12 Tilt Bar

F1 = Traditional front center tilt bar with upward closure only

F2 = Traditional front center tilt bar with upward and downward closure

R1 = Rear tilt bar with upward closure only*

R2 = Rear tilt bar with upward and downward closure*

SP = Split tilt bar (enter height of split)

13 Valance Type (Track Systems Only)*

S = Standard valance D = Decorative valance

14 Divider Rail/Double Hung/Café Height

DR1 = First divider rail (required for panel heights over 72")

DR2 = Second divider rail (required for panel heights over 102")

Note: Enter "C" if the desired location is at the center of the panel.

For OM (outside mount): Enter measurement(s) from bottom of frame to center of divider rail(s) or top of lower double hung or café panel.

For IM (inside mount): Enter measurement(s) from inside bottom of window or sill to center of divider rail(s) or top of lower double hung or café panel.

15 T-Post

EQ = T-post placed to provide equally divided openings

For unequal placement: Starting from the left, indicate distance in inches from left side of the shutter to center of each T-post.

16 Magnets

All 4-sided frames come standard with pre-installed magnets.

Y = Yes, pre-install N = No, do not pre-install

Lineal Materials

Grid prices include standard frames, T-posts and hardware.

To order additional lineal materials, indicate quantity, color and length.