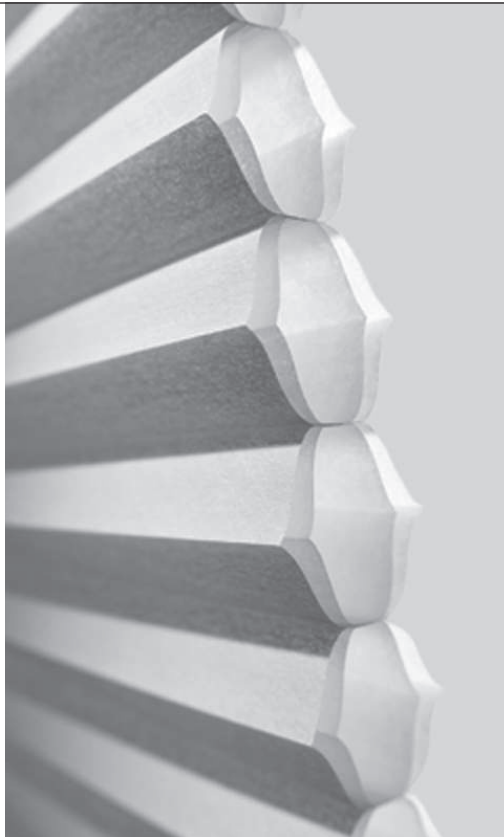
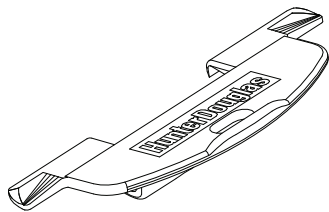


# HunterDouglas

Installation • Operation • Care



Duette<sup>®</sup> and Applause<sup>®</sup>  
Honeycomb Shades  
LiteRise<sup>®</sup> Lifting System

**CONTENTS**

---

**Getting Started:**

Mounting Types And Window Terminology..... 1  
Installation Components Needed ..... 1  
Tools And Fasteners Needed ..... 2  
Product View ..... 3

**Installation:**

Mount The Installation Brackets For Inside Mount..... 4  
Mount The Installation Brackets For Outside Mount ..... 5  
Mount The Installation Brackets For End Mount..... 6  
Install The Shade ..... 7  
Install The LiteRise® Handle(s) ..... 7  
Attach The Hold-Down Brackets (Optional)..... 7

**Operation:**

Operate The Shade ..... 8  
Troubleshooting ..... 9

**Care:**

Cleaning Procedures ..... 11

---

**Questions?**

Call the Hunter Douglas Customer Information Center at  
1-888-501-8364.

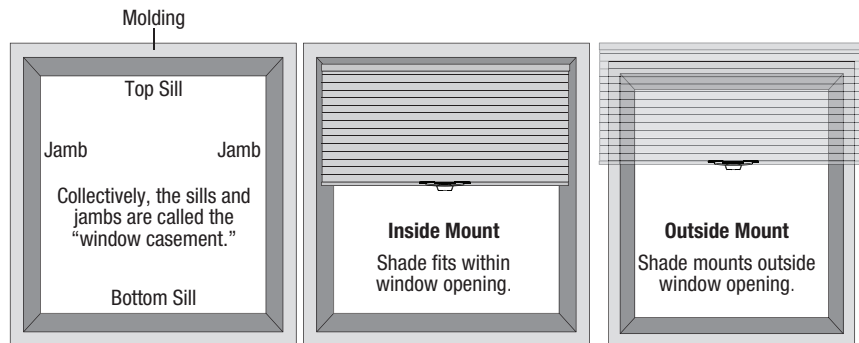


## GETTING STARTED

Thank you for purchasing Hunter Douglas Duette® or Applause® LiteRise® honeycomb shades. With proper installation, operation, and care, your new shades will provide years of beauty and performance. Please thoroughly review this instruction booklet before beginning the installation.

### Mounting Types And Window Terminology

If the installation brackets are mounted correctly, the rest of the installation process follows very easily. To prepare for this important first step, review the mounting types and basic window terminology illustrated below.



### Installation Components Needed

Check the packaging to be sure you have all the components needed to install your shade. Keep the packaging until the shades perform to your satisfaction. If your shade has a protective plastic cover on the fabric covered headrail, keep the plastic in place until the shade is installed.

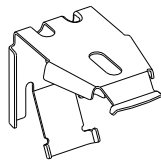
Shade Width	Brackets Required
12" - 36"	2
36 <sup>1</sup> / <sub>8</sub> " - 72"	3
72 <sup>1</sup> / <sub>8</sub> " - 108"	4
108 <sup>1</sup> / <sub>8</sub> " - 120"	5

### Required Components

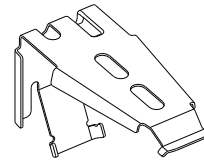
#### ■ Installation Brackets.

The number of installation brackets required varies with shade width, as shown in the table. Your order will include one of the following types of installation brackets.

<sup>3</sup>/<sub>8</sub>" Pleat Size Installation Bracket



<sup>3</sup>/<sub>4</sub>" And <sup>1</sup>/<sub>4</sub>" Pleat Size Installation Bracket



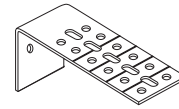
**IMPORTANT:** For illustration purposes, the <sup>3</sup>/<sub>4</sub>" and <sup>1</sup>/<sub>4</sub>" installation brackets are shown throughout the following instructions. The <sup>3</sup>/<sub>8</sub>" brackets follow these same installation procedures.

## GETTING STARTED

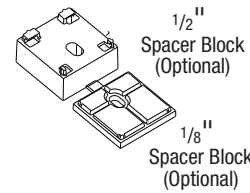
---

### Optional Components

- **Extension Brackets.** Extension brackets can add up to 3 1/2" of clearance for outside mounts. If ordered, there should be the same number of extension brackets as installation brackets.
- **Spacer Blocks.** Spacer blocks provide additional clearance to accommodate various molding widths. If ordered, Hunter Douglas provides both 1/2" and 1/8" width spacer blocks designed to work separately, or fit together. There should be a maximum of 1 1/2" of spacer blocks per installation bracket.
- **Hold-Down Brackets.** Hold-down brackets provide stability and prevent swaying by securing the bottom rail (i.e. often used in French door applications).



Extension Bracket  
(Optional)



1/2"  
Spacer Block  
(Optional)

1/8"  
Spacer Block  
(Optional)



Hold-Down Bracket  
(Optional)

### Tools And Fasteners Needed

- Flat blade and Phillips screwdriver
- Measuring tape and pencil
- Power drill, 3/32" drill bit, and a 1/4" hex driver
- Level
- Needlenose pliers

In addition, you will need fasteners designed to work with your specific mounting surface(s).

- **#6 Hex Head Screws (Provided).** Two 1 1/2" screws are provided per installation bracket.
- **Longer #6 Hex Head Screws (Not Provided).** If using spacer blocks, use a #6 mounting screw long enough for a secure attachment.
- **Wall Anchors (Not Provided).** If mounting into drywall, you will need wall anchors to ensure a secure installation.
- **Speed Nuts and Screws (Provided).** Extension brackets come with screws and speed nuts.



#6 x 1 1/2"  
Hex Head Screw  
(Provided)



Longer #6 Hex Head Screw  
For Use With Spacer Blocks  
(Not Provided)

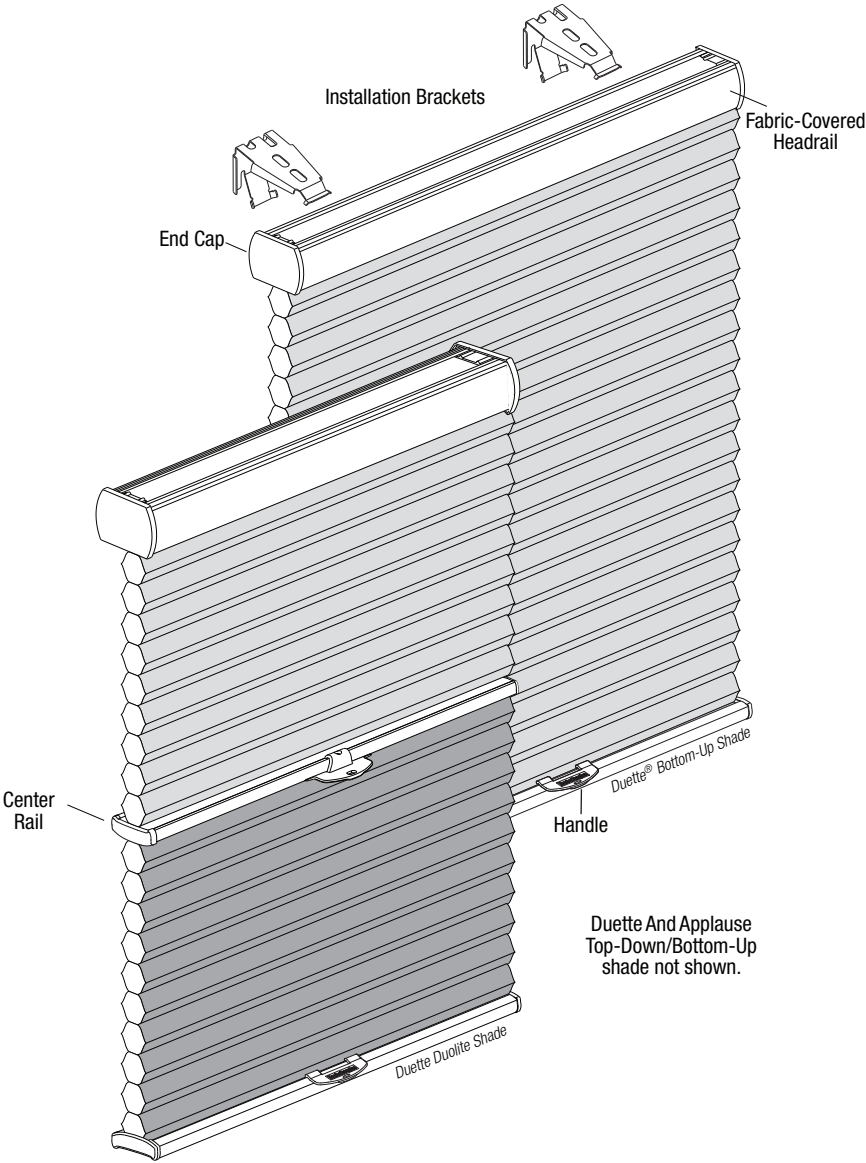


Wall Anchor Or  
Expansion Bolt  
(Not Provided)



Speed Nut  
And Screw  
(Provided With Each  
Extension Bracket)

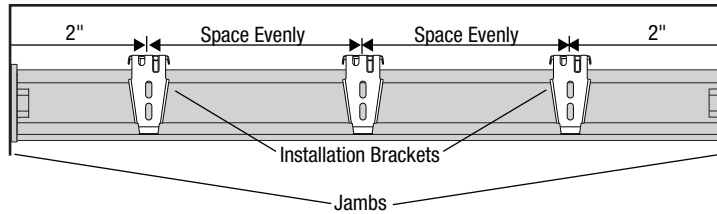
Product View



## INSTALLATION

### Mount The Installation Brackets For Inside Mount

- Measure in 2" from each jamb for bracket location.
- If more than two installation brackets came with your order, space additional bracket(s) on studs, evenly between the two end brackets.

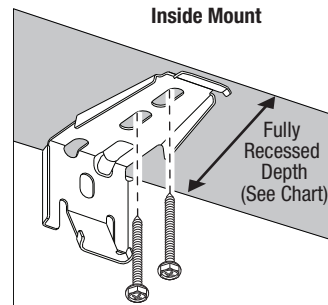


- Mark the location of the screw holes.
- The depth required for a minimum mounting or a fully recessed mounting will vary depending on the fabric pleat size. For fully recessed mounting, the fabric will be flush with the front of the sill, when raised. Refer to the chart for depth requirements.
- Typically, fully recessed inside mounting is best for energy efficiency.

Fabric Pleat Size	Minimum	Fully Recessed
3/8"	1/2"	2 1/4"
3/4"	1/2"	2 7/8"
1 1/4"	1/2"	3 5/8"

- If mounting to a heavily textured surface, use the 1/8" spacer block as a shim between the installation bracket and the mounting surface.
- Use a 3/32" drill bit to drill holes for the mounting screws.

**IMPORTANT:** If you are fastening the installation brackets to drywall, be sure to use wall anchors and follow the instructions provided with the anchors. (Anchors not provided.)



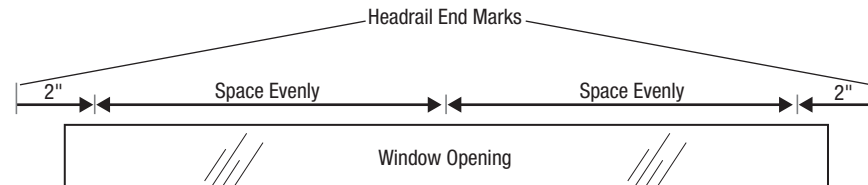
- Use a level to check that the mounting surface is level. Shim the brackets if necessary. (Shims not provided.)
- Use the hex head screws provided to fasten the installation brackets to the mounting surface.

**IMPORTANT:** The front edges of the installation brackets must be level and aligned to each other.

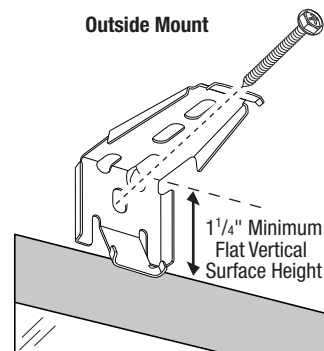
## INSTALLATION

### Mount The Installation Brackets For Outside Mount

- With the shade lowered, center it over the window opening at the desired height. Use a pencil to lightly mark each end of the headrail.



- Alternatively, measure the width of the headrail to determine its centerpoint. Measure the width of the window and determine its centerpoint.
  - Lower the shade and align these centerpoints, then mark each end of the headrail at the desired height.
- Measure and mark 2" in from each end of the headrail.
  - If more than two installation brackets came with your order, space additional bracket(s) evenly on studs, between the two end brackets and mark their location.
- Center each installation bracket on the marks and locate where to drill the screw holes.
  - A minimum of 1 1/4" flat vertical height is required from the top of the window sill opening to the top, back of the installation bracket.
  - The top of the installation brackets should be at the desired height. The brackets should be level and aligned.



**CAUTION:** The rear of the blocks/brackets must be flush against a flat mounting surface. *Do not mount brackets on curved molding.*

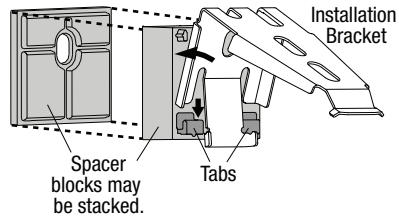
- Using a 3/32" drill bit, drill holes for the mounting screws.

**IMPORTANT:** If you are fastening the installation brackets to drywall, be sure to use wall anchors and follow the instructions provided with the anchors. (Anchors not provided.)

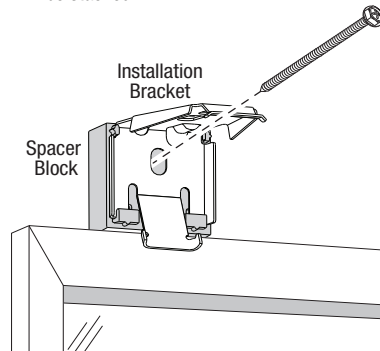
- Fasten installation brackets to the mounting surface using the hex head screws provided.

## INSTALLATION

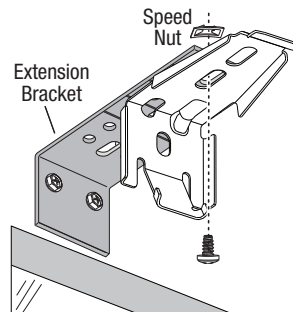
- If using spacer blocks, first attach the installation bracket to the spacer block before stacking additional spacer blocks together.
  - Insert the legs of the installation bracket into the tabs on the spacer block.
  - Then rotate the installation bracket back.



- Attach the spacer block/installation bracket to a flat vertical mounting surface with a #6 mounting screw long enough for a secure installation (screws not provided).



- When using extension brackets, attach an installation bracket to the underside of each extension bracket using the provided screws and speed nuts.

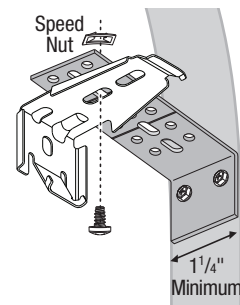


### Mount The Installation Brackets For End Mount

End mount the headrail when conventional mounting techniques will not work, for example, in an arched window.

- Mount the extension brackets on a surface at least 1¼" wide.
- Attach the installation brackets to the extension brackets using the provided screws and speed nuts.

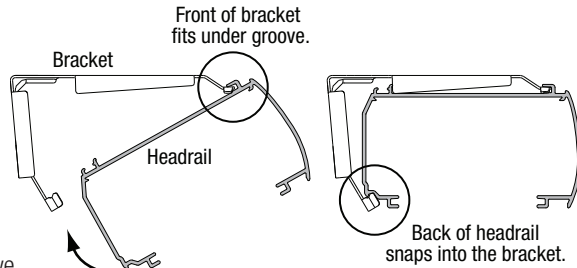
**IMPORTANT:** End mount is not available for Two-On-One Headrail shades.



## INSTALLATION

### Install The Shade

- Position the shade so that the front (colored fabric) faces you.
- Slip the headrail into the installation brackets so the front of the bracket slides under the front groove on the top of the headrail.
- Gently roll the back of the headrail up and push back to snap into place.



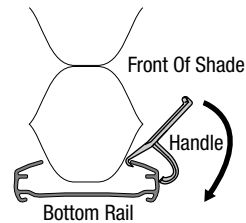
### Install The LiteRise® Handle(s)

**IMPORTANT:** For shades over 72" wide, two handles will be provided. Space these handles evenly across the rail.

#### Bottom-Up Shades

- Attach the handle at the center of the bottom rail.
- Hook the prongs of the handle onto the lip of the bottom rail.
- Rotate the handle DOWN until it snaps onto the bottom rail.

#### Bottom-Up Shades

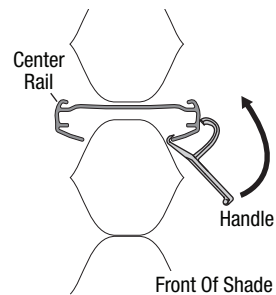


#### Top-Down, Top-Down/Bottom-Up, And Duolite™ Shades

One handle is attached to the bottom rail (see above), a second handle is attached to the center rail.

- Flip the second handle upside-down, so that the Hunter Douglas logo is facing down.
- Attach the handle at the center of the center rail.
- Hook the prongs of the handle onto the lip on the underside of the center rail.
- Rotate the handle UP until it snaps onto the center rail.

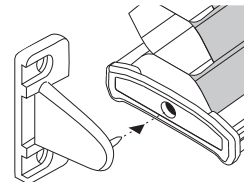
#### Top-Down, Top-Down/Bottom-Up, And Duolite™ Shades



### Attach The Hold-Down Brackets (Optional)

Hold-down brackets can only be used on outside mounted shades.

- Lower the shade and place the pins from the hold-down brackets into the bottom rail end caps.
- On the mounting surface, mark the bracket hole locations.
- Check that the brackets are level and aligned, and attach them to the mounting surface using the two screws provided.



**IMPORTANT:** Disconnect the bottom rail from the hold-down brackets to raise the shade.

## OPERATION

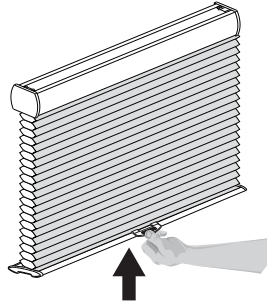
---

### Operate The Shade

For better support and smoother operation, use the handle when raising and lowering the shade.

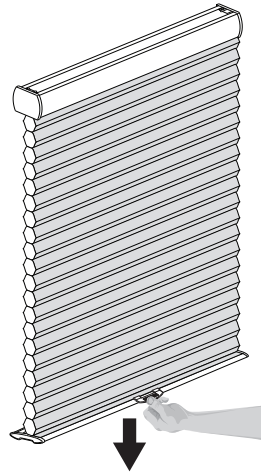
#### To Raise the Shade

- Slowly and steadily push up on the bottom rail handle. Allow the shade to stack evenly.



#### To Lower the Shade

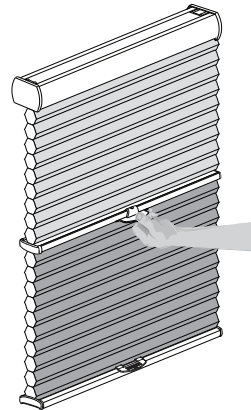
- Slowly and steadily pull down on the bottom rail handle.



#### To Lower Or Raise The Center Rail (For Top-Down, Top-Down/Bottom-Up, and Duolite™ Shades).

- Slowly and steadily pull down or push up on the center rail handle.

**IMPORTANT:** With Duolite and Top-Down/Bottom-Up shades, you must first raise the center rail, before raising the bottom rail. See *Product View* on page 3.



**Troubleshooting**

<b>Problem</b>	<b>Solution</b>
<p>The shade is hard to raise or lower, or will not raise or lower.</p>	<ul style="list-style-type: none"> <li>■ Make sure that the shade fabric is not caught between the installation bracket and the headrail.</li> <li>■ Check that the headrail and installation brackets are level and aligned in the window. The window may be out of square. To check if the window is square, measure the diagonals. Level the headrail by shimming the installation brackets, if necessary.</li> <li>■ Check if the lift cords are pinched or tangled.</li> <li>■ If hold-down brackets are used, make sure they have been released before operating the shade.</li> </ul>
<p>The shade raises or lowers unevenly or the bottom rail is uneven when fully raised.</p>	<ul style="list-style-type: none"> <li>■ Check that the headrail and installation brackets are level and aligned in the window. The window may be out of square. To check if the window is square, measure the diagonals. Level the headrail by shimming the installation brackets, if necessary.</li> <li>■ Check to see if there is an obstruction in the shade's path. If a shade hits an obstruction as it is lowered it may become misaligned. This may cause the shade to be angled or tilted when fully raised. Try lowering the shade completely, then raising it to allow it to self-correct.</li> <li>■ Adjust the shade. <i>See Adjust The Shade</i> on page 10.</li> </ul>
<p>The shade will not fit into the installation brackets.</p>	<ul style="list-style-type: none"> <li>■ Check that the installation brackets are level and aligned. Adjust and/or shim to level, if necessary.</li> <li>■ Be sure the heads of the mounting screws are flush against the installation bracket.</li> <li>■ Check that the headrail is completely inserted into the installation brackets. <i>See Install The Shade</i> on page 7.</li> </ul>
<p>The cords hang from the bottom rail.</p>	<ul style="list-style-type: none"> <li>■ Tape extra cords to the bottom rail for possible future shade adjustments.</li> </ul>

## OPERATION

Problem	Solution
<p>The bottom rail is not level, or the shade height is incorrect.</p>	<p><b>Shade Height Adjustment</b></p> <p>Shade height and adjustments to level the bottom rail can be made by adjusting the cord on the underside of the bottom rail.</p> <ul style="list-style-type: none"> <li>■ Locate the ferrule, seated in a pocket in the bottom rail.</li> <li>■ Remove the ferrule by pulling on the excess cord. If the cord has been trimmed, you will need to use needlenose pliers to access it.</li> <li>■ To shorten the cord, hold the cord tight under the ferrule. Then slide the ferrule up toward the pocket.</li> <li>■ To lengthen the cord, hold the cord tight between the pocket and the ferrule. Then slide the ferrule down.</li> <li>■ After adjusting, place the ferrule fully back into the pocket.</li> <li>■ Once you are certain of the final adjustments, tape the extra cord length to the bottom rail, or into the groove on the bottom rail (for future adjustments).</li> </ul> <div style="display: flex; justify-content: space-around;"> <div data-bbox="1003 478 1235 655"> <p><b>Bottom Rail</b> Pocket Ferrule Cord Pull cord to remove ferrule.</p> </div> <div data-bbox="1003 688 1235 997"> <p><b>To Shorten</b> Slide the ferrule up to shorten the cord.</p> </div> <div data-bbox="1003 1018 1235 1281"> <p><b>To Lengthen</b> Slide the ferrule down to lengthen the cord.</p> </div> </div>
<p>The ferrule has come off the cord. How do I rethread the ferrule?</p>	<ul style="list-style-type: none"> <li>■ Thread the end of the cord into the tapered end of the ferrule. Loop the end around the ferrule and back through the tapered end. Make sure the loop fits into the groove on the side of the ferrule.</li> </ul> <div style="text-align: right;"> <p>Be sure the cord loop fits into the ferrule groove. Cord Loop</p> </div>

## **Cleaning Procedures**

Hunter Douglas honeycomb shades are made of an anti-static, dust-resistant fabric which repels dirt and dust. For most honeycomb fabrics, the following options are available if your shade needs cleaning.

### **Dusting**

- Regular light dusting with a feather duster is all the cleaning that is needed in most circumstances.

### **Vacuumping**

- For deeper cleaning, vacuum gently with a brush attachment.

**CAUTION:** Do not vacuum Architella® Elan™ or Architella Elan Eclipse™ fabrics.

### **Compressed Air/Hair Dryer (Cool Setting)**

- Use compressed air or a hair-dryer on a cool setting, to blow dust and dirt off of shades.

### **Spot-Cleaning**

- Prepare a solution of warm water and a mild detergent.
- Dampen a clean cloth in the solution and wring it out.
- Dab the spot with the dampened cloth until it is gone. Do not rub the fabric.
- Allow the shade to dry in the completely lowered position.

**CAUTION:** Do not spot-clean Batiste, Opalescence™, Puressence™, or Royale fabrics.

### **Bathtub Cleaning/Water Immersion**

- Immerse the shade in a basin or bathtub filled with a mild detergent. Never immerse the headrail into the solution.
- Rinse with clean water.
- Before removing from the rinse water, fully raise the shade and tilt it to allow excess water to drain off.
- Reinstall the damp shade, lower it, and let it dry completely.

**CAUTION:** Do not immerse Commercial, Puressence, Royale, all opaque fabrics, and any fabric-covered valances.

## CARE

---

### Ultrasonic Cleaning

- Some honeycomb fabrics can be ultrasonically cleaned by a professional.
- Specify that a mild detergent solution be used.
- Never immerse the headrail into the solution.
- Dry the shade completely in the lowered position.

**CAUTION:** Do not ultrasonically clean Casuelle® , Commercial, fabric-covered valances, Opalescence™, Purescence™, all opaque fabrics, and any fabric-covered valances.

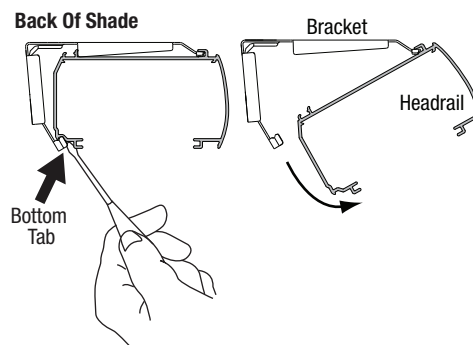
### On Site Injection/Extraction Cleaning

- This type of professional cleaning injects a cleaning solution into the fabric and extracts the dirty solution in the same motion.
- A dry method of injection/extraction is required for Architella, Casuelle, Commercial, Opalescence, Panache™, Sunterra™, and any opaque fabrics.
- If using injection/extraction for Batiste fabrics, specify that no chemicals are used (water only).
- Never immerse the headrail into the solution.

**CAUTION:** Do not use injection/extraction cleaning on Purescence fabrics, and any fabric-covered valances.

### Remove The Shade

- While holding the headrail, lower the shade approximately 4".
- Push back on the bottom tab of the installation bracket to release the bottom edge of the headrail.
- After releasing the bottom edge, roll the back of the headrail downward and out from the bracket.



**IMPORTANT:** If the bracket is stiff, the headrail may be difficult to remove. Use a small flat blade screwdriver and push the blade against the bottom tab of the mounting bracket.



## LIFETIME GUARANTEE

The Hunter Douglas Lifetime Guarantee is designed to ensure a thoroughly satisfying experience when selecting, purchasing and living with your window fashion products. If you are not thoroughly satisfied, simply contact Hunter Douglas Inc. at **1-888-501-8364** or visit **hunterdouglas.com**.

### COVERED

BY A LIFETIME LIMITED WARRANTY

- Hunter Douglas window fashion products are covered for defects in materials, workmanship or failure to operate
- Operational cords for a full 7 years from the date of purchase (applies to products sold after January 1, 2008)
- All internal mechanisms
- Components and brackets
- Fabric delamination
- Hunter Douglas PowerRise®, PowerTilt™ and PowerGlide®2.0, all with Platinum Technology™, and all other Hunter Douglas motorization components are covered for 5 years from date of purchase
- Repairs and/or replacements will be made with like or similar parts or products

### NOT COVERED

BY A LIFETIME LIMITED WARRANTY

- Any conditions caused by normal wear and tear
- Abuse, accidents, misuse or alterations to the product
- Exposure to the elements (sun damage, wind, water/moisture) or discoloration over time (with the exception of EverWood® Collection alternative wood blinds which carry a "Satisfaction Guarantee" covering fading, yellowing, warping and bowing for the life of the product)
- Failure to follow our instructions with respect to measurement, proper installation, cleaning or maintenance
- Shipping charges, cost of removal and reinstallation

For further details, see the warranty card included with your order.

### TO OBTAIN WARRANTY SERVICE

1. Contact your original dealer (place of purchase) for warranty assistance.
2. Visit **hunterdouglas.com/customersupport** for additional warranty information and frequently asked questions.
3. Contact Hunter Douglas Inc. at **1-888-501-8364** (9:00 AM - 8:00 PM EST) for technical support, certain parts free of charge, for assistance in obtaining warranty service or for further explanation of our warranty.

# HunterDouglas

hunterdouglas.com

5109539000



5/09